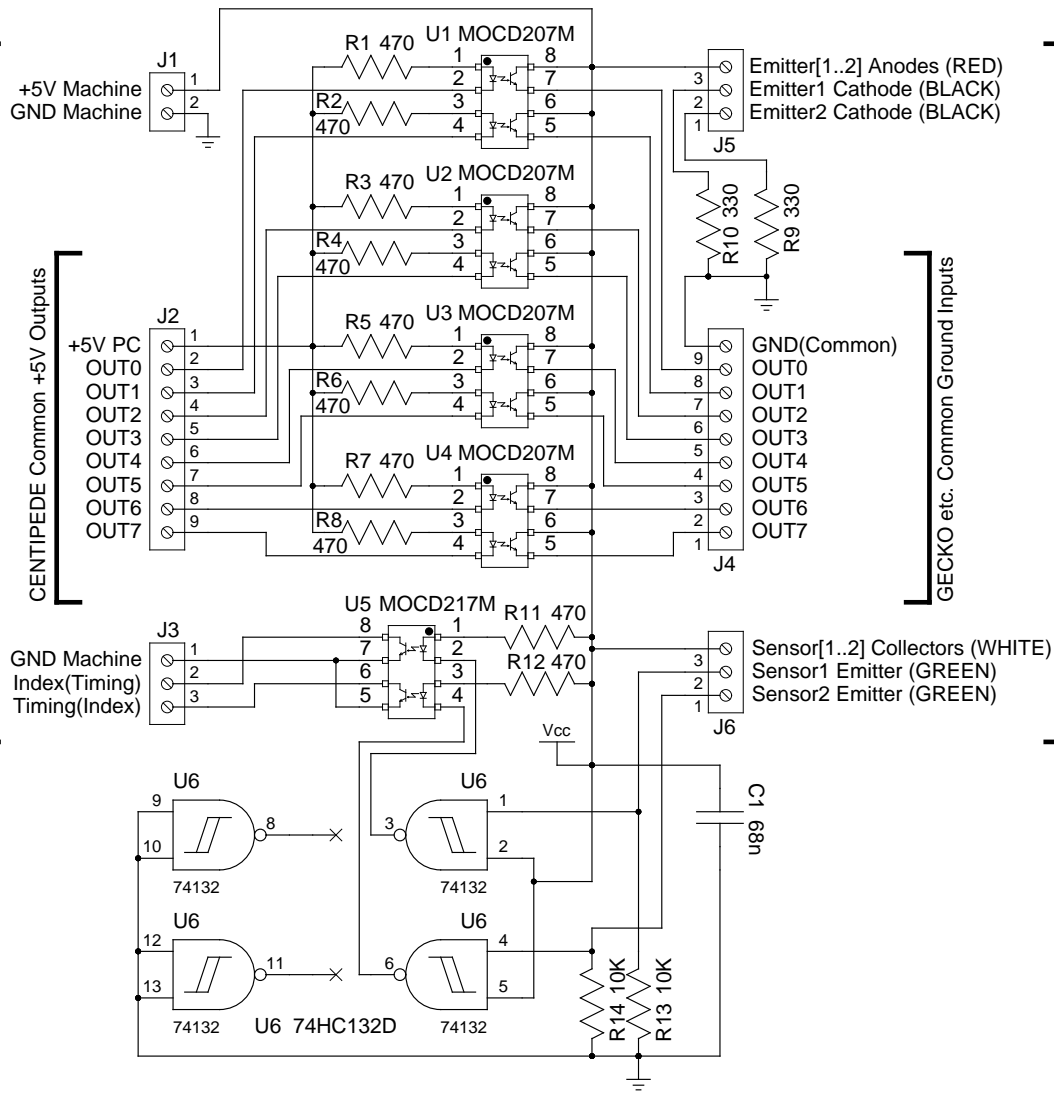


TO CENTIPEDE-BRK TERMINALS



TO THE MACHINE

Wire colors for Emitter/Sensor given for Optek OPBxxxx Slotted Optical Switches. Others are probably the same but it won't hurt to check.

Recommended Slotted Optical Switches:

OPB830W11Z (Mouser p/n 828-OPB830W11Z), OPB890P11Z (Mouser p/n 828-OPB890P11Z) or similar

Connectors locations and pinouts on the schematic match those on an actual board.

Please make sure J1 (bigger BLUE connector) is connected to CENTIPEDE +5V connector properly (POLARITY) !!!

For more information please consult "Setting up CENTIPEDE board set for Mach3" manual.

TITLE CENTIPEDE-CONNector	
FILE:	REVISION: 1.0
PAGE 1	OF 1
DRAWN BY: Sergey Kubushyn <ksi@koi8.net>	